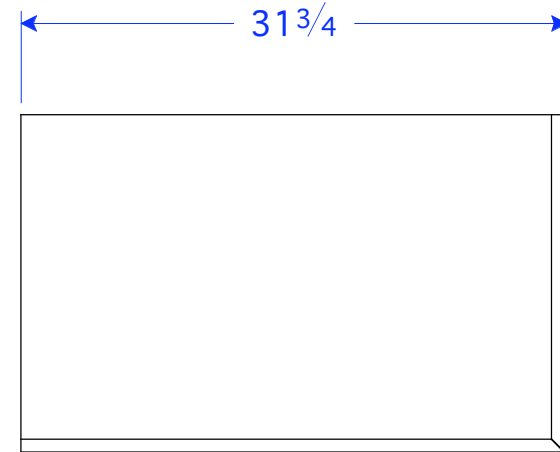
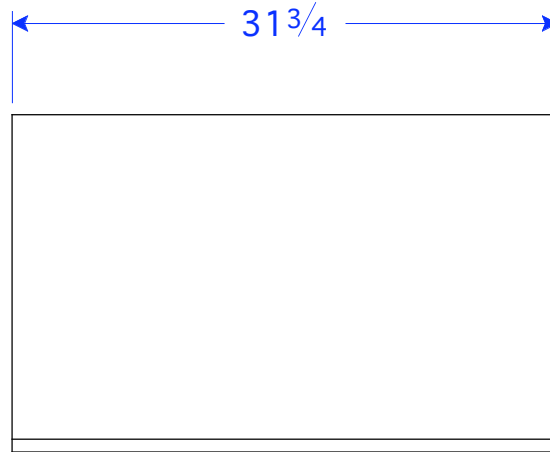
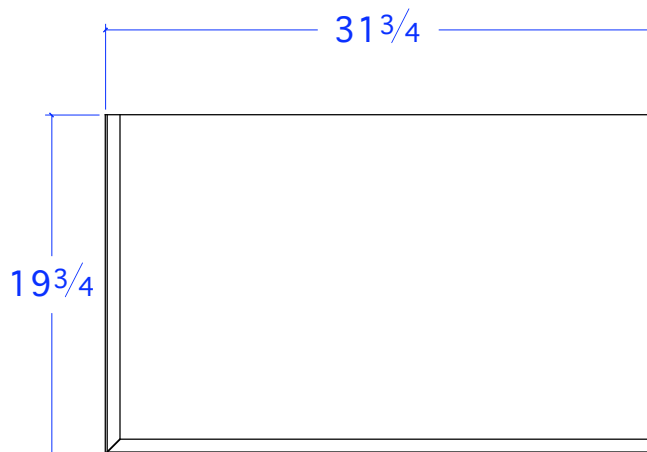
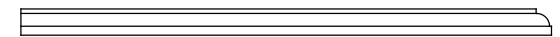
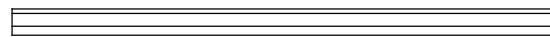
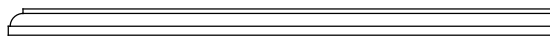
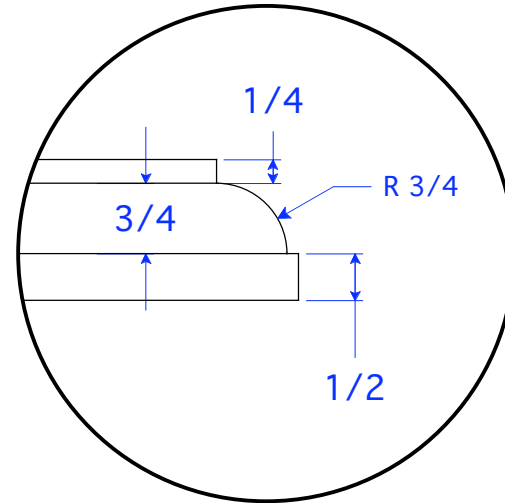


Not To Scale



BM 14-1.5x20 LR Flat  
 $19\frac{3}{4}$ "H x  $31.75$ "L x  $1\frac{1}{2}$ "T

BM 14-1.5x20 STR  
 $19\frac{3}{4}$ "H x  $31.75$ "L x  $1\frac{1}{2}$ "T

BM 14-1.5x20 RR Flat  
 $19\frac{3}{4}$ "H x  $31.75$ "L x  $1\frac{1}{2}$ "T