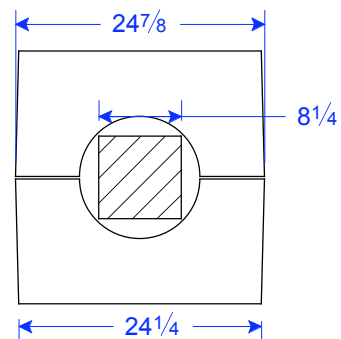


Minimum required opening 132"

25" Base



Actual column height is as shown. An additional 3/4" clearance (minimum) is required for installation.

Tuscan	Height	Base	Shaft	Max. sq.
CLT 11-25 B	10'-11 1/4"	25"	18"	8 1/4"