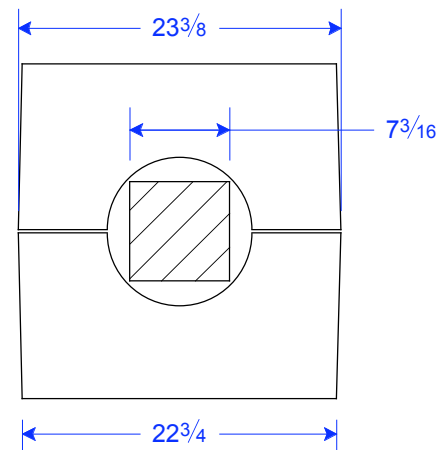


Ceiling

Minimum required opening 84"

24" Base



Actual column height is as shown. An additional 3/4" clearance (minimum) is required for installation.

Finished Floor

Tuscan	Height	Base	Shaft	Max. sq.
CLT 7-24 B	6'-11 1/4"	24"	16"	7 3/16"