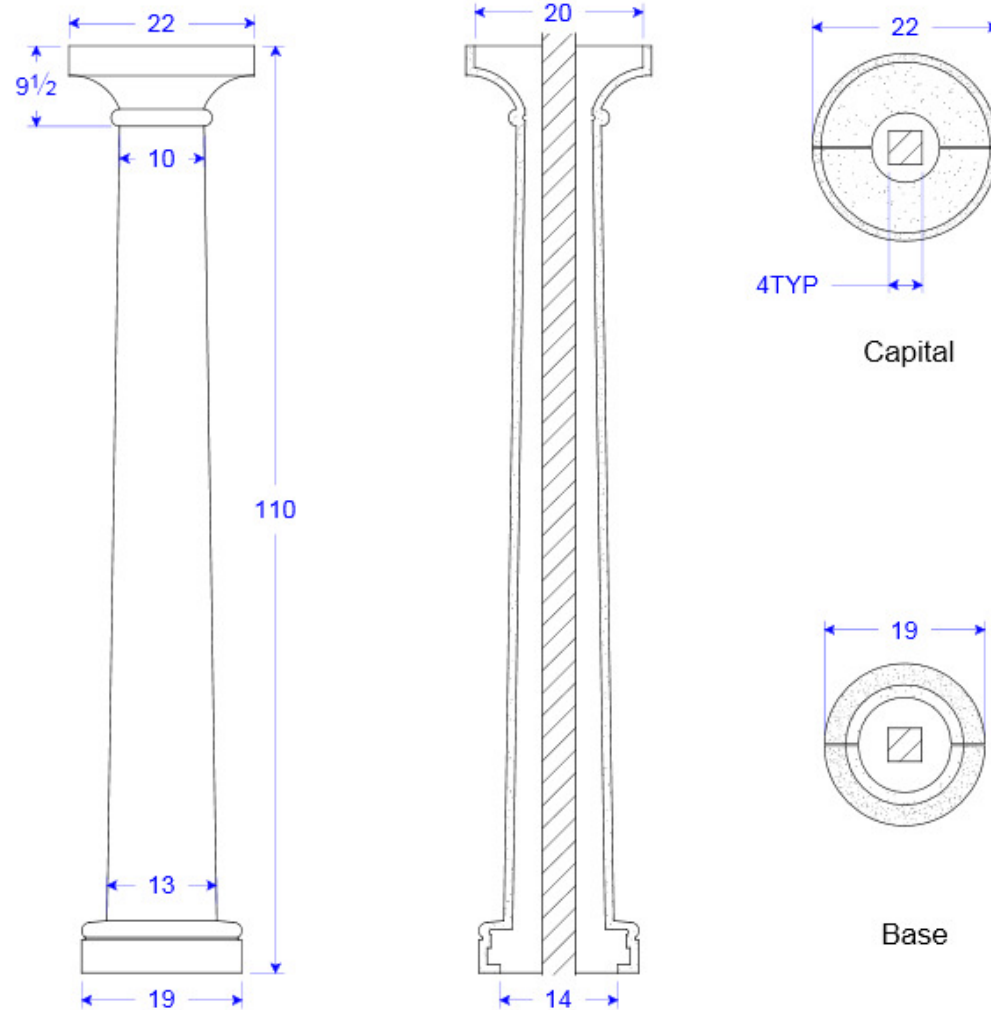


Seawright Custom Precast Columns • GCLR 9-2-19B



GCLR 9-2-19B
(In GFRC only)

SIZE	
GCLR 9-2-19B	110"H x 19"Base x 22" Capital

07/08/08 Co6