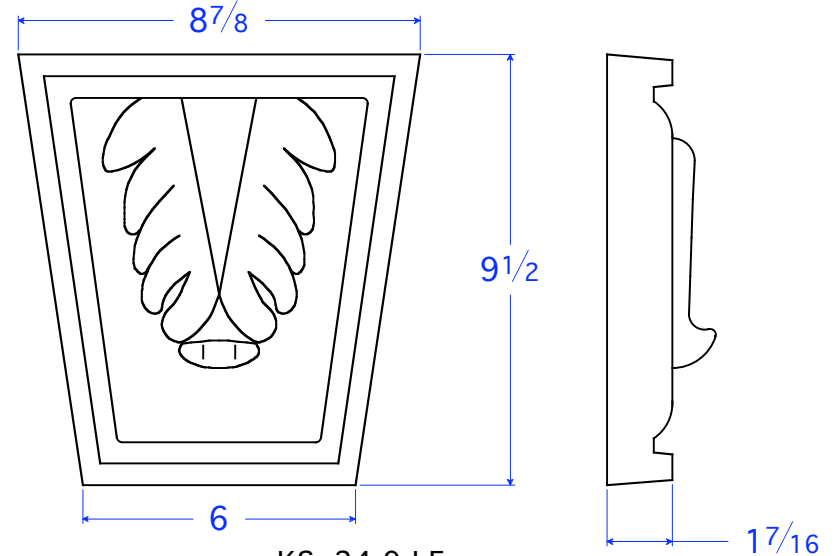
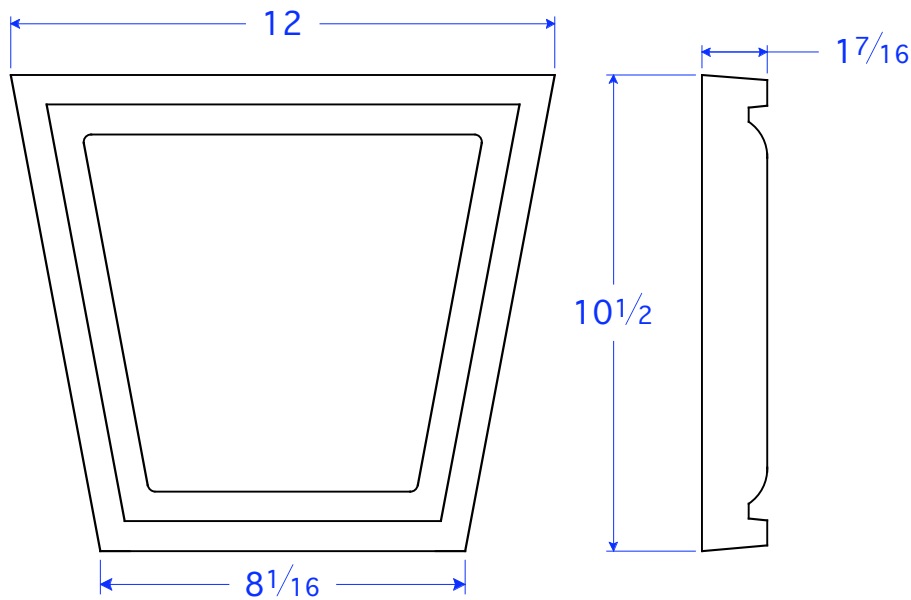


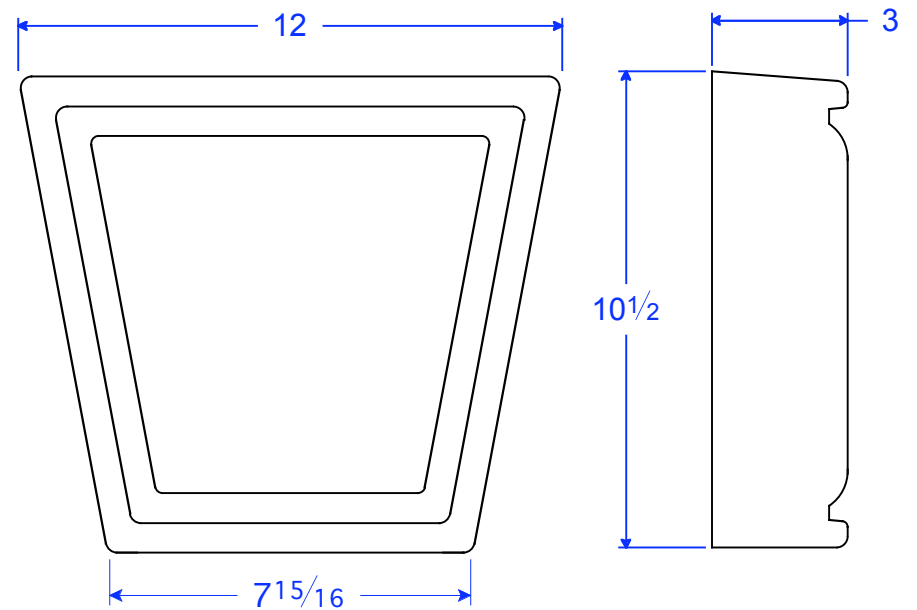
KS 24-8  
 $7\frac{9}{16}$ "H x  $8\frac{7}{8}$ "L x  $2\frac{1}{2}$ "T



KS 24-9 LF  
 $9\frac{1}{2}$ "H x  $8\frac{7}{8}$ "L x  $1\frac{7}{16}$ "T



KS 24-10  
 $10\frac{1}{2}$ "H x 12"L x  $1\frac{7}{16}$ "T



KS 24-10x3  
 $10\frac{1}{2}$ "H x 12"L x 3"T