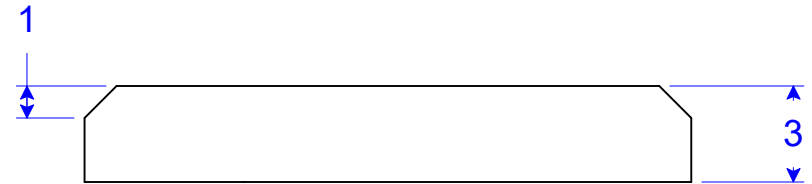
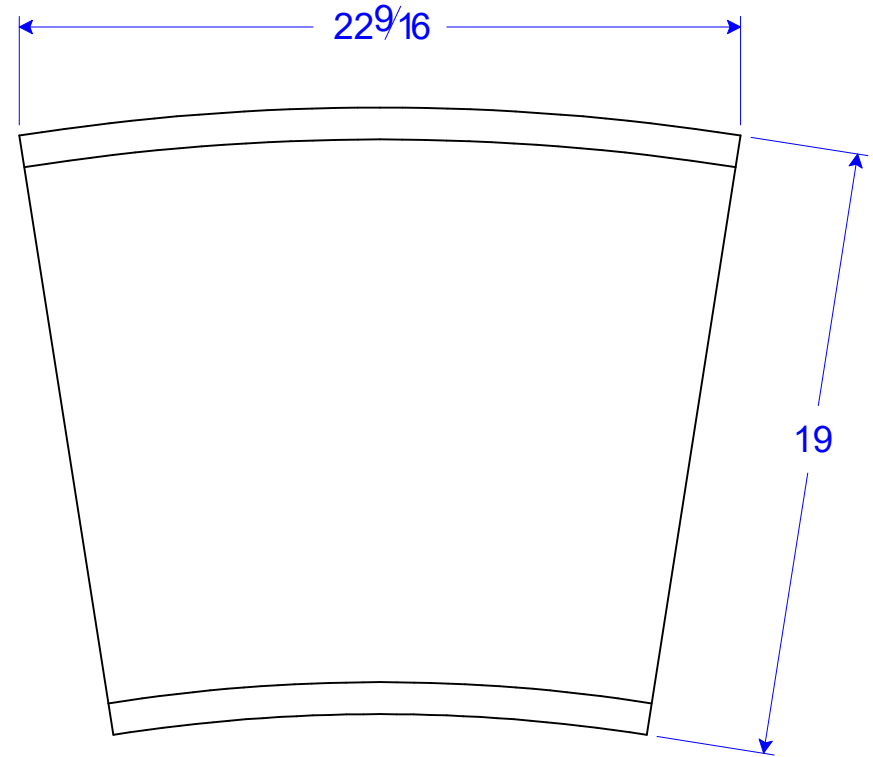


WC 04-19 STR  
19" W x 24 " L x 3" H



WC 04-19 STR R54"  
19" W x 24 " L x 3" H